



Operating and Assembly Manual

Side Brush, Left (6486.40) for Sweepmaster B1500 RH

Introduction

Preface

The installation described in this assembly instruction manual may be completed by one of Hako's Service Centers or Licensed Workshops. These workshops have technicians with the necessary skills.

This assembly manual may only be used in conjunction with the vehicle's operating manual.

Safety information

Please observe the general safety regulations relevant for the vehicle provided in the corresponding operating manual. Park the vehicle on a level piece of ground.

Switch the vehicle off prior to assembly.
Apply the vehicle's parking brake.

We would like to point out explicitly that you cannot base any legal claims on the information contained in this manual.

Ensure only original spare parts are used should any repairs be necessary. Only such original spare parts warrant that the equipment is reliably ready to use at all times. Subject to modification as required by technical advancement.

Valid as of: July 2014

Hako GmbH
D-23843 Bad Oldesloe
Hamburger Str. 209-239
Phone +49 4531 806-0

Side Brush, Left

1 Side Brush, Left

1.1 Parts list

- 1 Side brush, left, complete
- 2 Hydraulics
- 3 Bar
- 4 PWM module
- 5 Cable harness, W14

Side Brush, Left

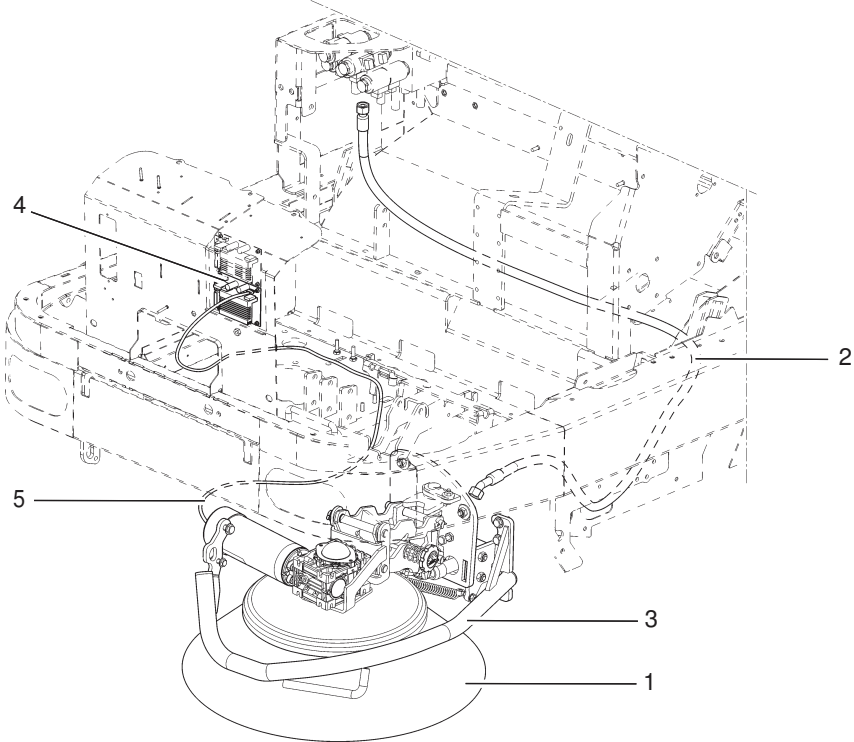


Fig. 1 Assembly

Side Brush, Left

1.2 Assembling the side brush, left

1. Park the vehicle on a level piece of ground and apply the parking brake.
2. Switch off the vehicle and remove the ignition key.
3. Complete the assembly as illustrated in the general assembly drawing and parts list.
4. Assemble the hydraulics, refer to Section 1.3 and hydraulics diagram, refer to Section 1.4.
5. Lay the cable harness, refer to Section 1.5 and circuit diagram, refer to Section 1.6.
6. Check the function of the side brush, left, refer to Section 1.7.

Side Brush, Left

1.3 Assembling the hydraulics

Assemble the hydraulic hose (A) on the hydraulic cylinder (Fig. 2/1) with cover, straight fitting, adjustable T-fitting and measuring nozzles.

Assemble the hydraulic hose (A) on the valve manifold (Fig. 2/2) with adjustable angled fitting and L-fitting.

Fix the hydraulic hose in the chassis to the cable harness (Fig. 2/3) or to the hydraulic hoses (Fig. 2/4) with cable ties.

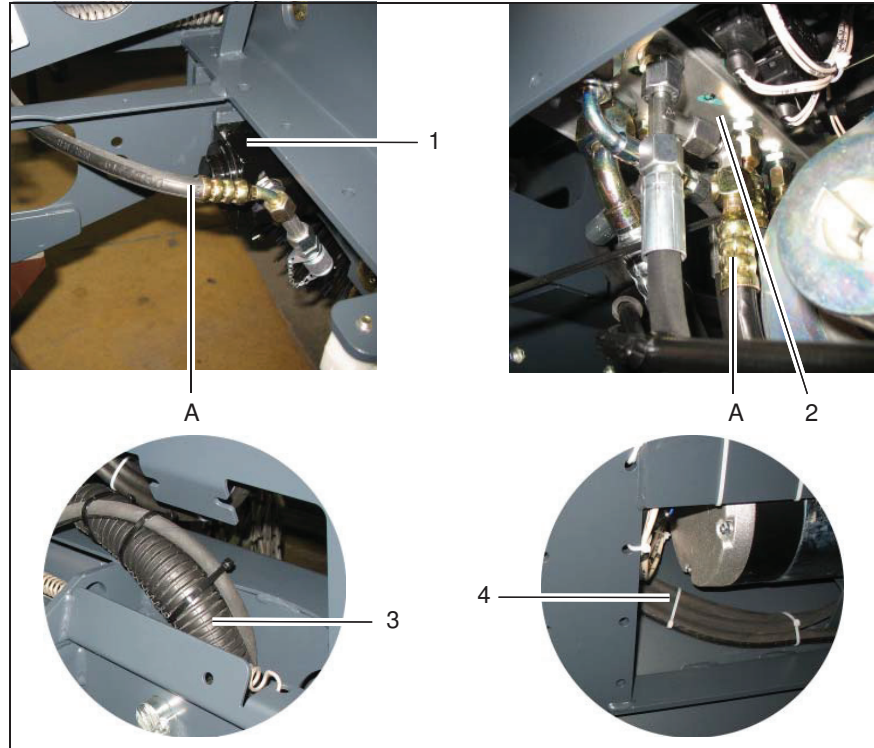
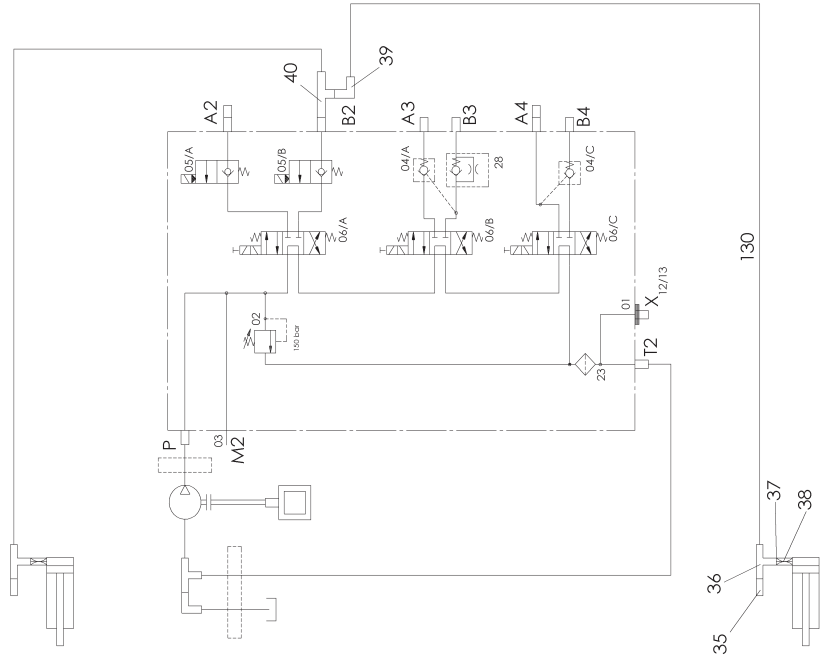


Fig. 2

Side Brush, Left

1.4 Hydraulics diagram

- 35-Measuring nozzles
- 36-Adjustable T-fitting
- 37-Straight fitting
- 38-Cover
- 39-Adjustable angled fitting
- 40-Adjustable L-fitting
- 130-Hydraulic hose



Side Brush, Left

1.5 Electronics

1.5.1 Laying the cable harness

Fix the PWM module (Fig. 3/1) to the electronics box holder (Fig. 3/2) on the front side.

Connect the cable harness W14 to the engine (Fig. 3/3) and PWM module. Fix the cable harness by means of cable ties.

Connect all the necessary plugs on the PWM module, refer to circuit diagram

1.5.2 Adapting the machine program

On control unit A1, set the switch S3 of DIP switch B to ON.

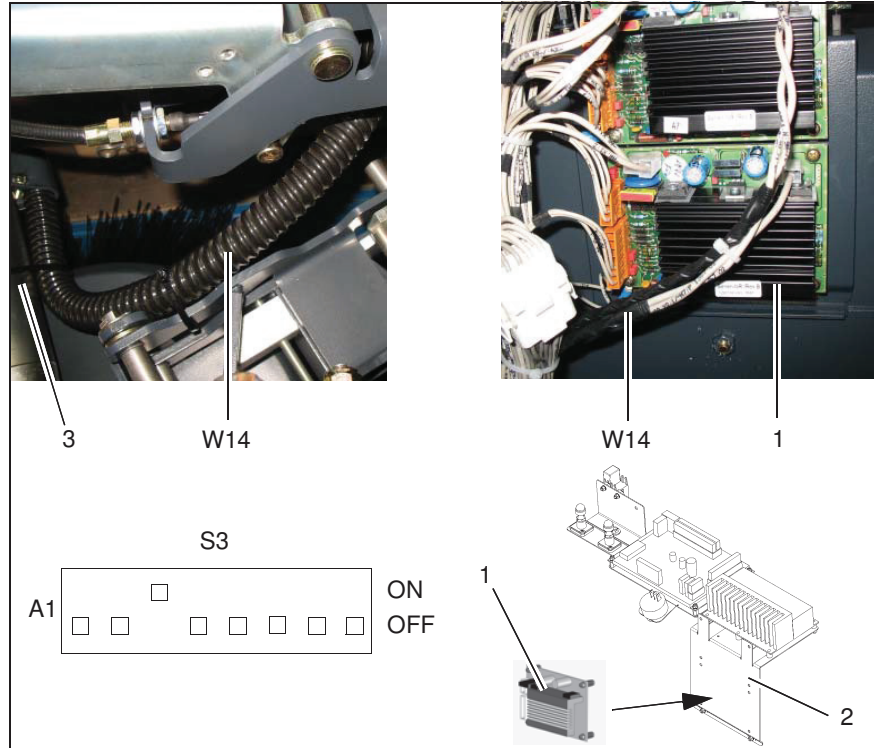
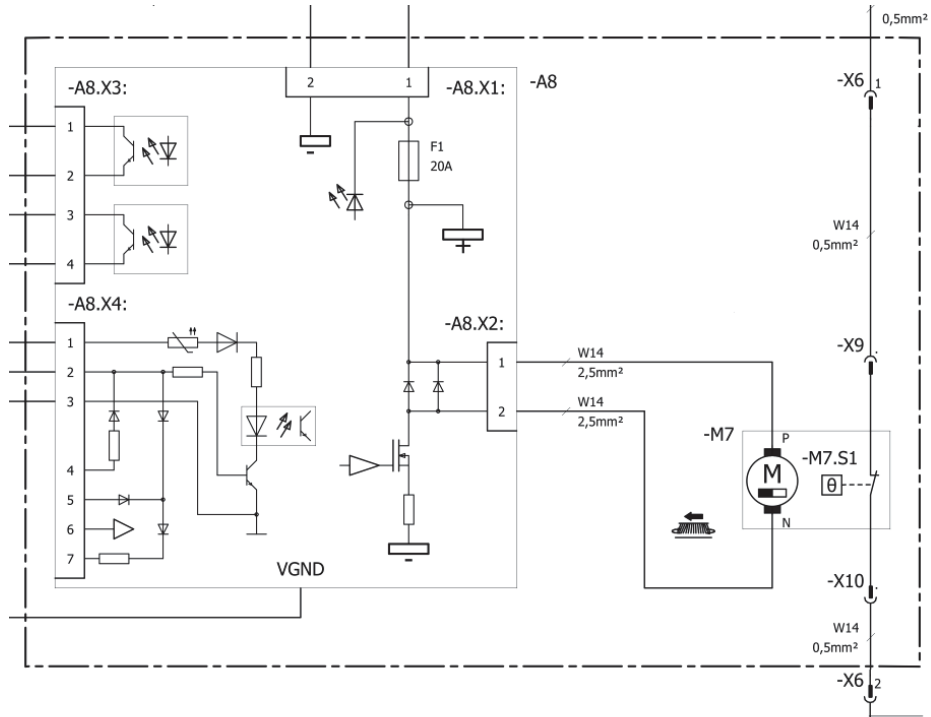


Fig. 3

Side Brush, Left

1.6 Circuit diagram



Side Brush, Left

1.7 Operation

1.7.1 Lowering/Raising the side brush

Press the switch (Fig. 4/1) to activate the side brush.

1.7.2 Setting up the side brushes

Check the side brushes (Fig. 4/2) every week for signs of wear. In the event of wear or after the side brushes have been changed, proceed as follows to complete the necessary adjustments:

1. Park the vehicle on a level area of floor. Switch the engine off and apply the parking brake.
2. Adjust the contact surface of the side brush using the adjusting bolt (Fig. 4/2). The contact surface of the side brush should amount to approximately half the brush circumference and begins at about the position (Fig. 4/A).

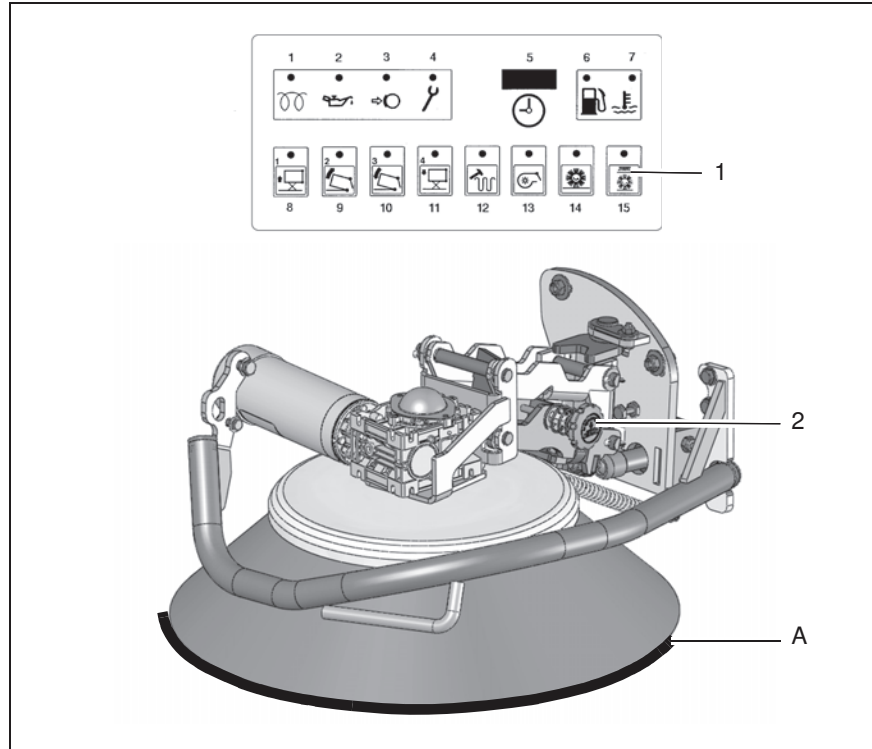


Fig. 4

Side Brush, Left



Spitzentechnik für eine saubere und schönere Umwelt

Advanced Technology for a Cleaner, Better Environment



Hako GmbH · Unternehmenszentrale · Hamburger Str. 209-239 · D-23843 Bad Oldesloe
☎ +49 4531 806-0 · Fax +49 4531 806-338